



ELECTRIC TOWEL WARMER INSTALLATION INSTRUCTIONS

Thank you for choosing the “Vero” electric towel warmer. Before installing or using this product, please read the installation instructions carefully. All the images, diagrams and other content are for reference only. If you have any problems with installation or product operation, please contact our customer service team.

Precautions for safe installation and use:

1. The product should only be used for warming/airing textiles such as towels or robes. Silk and other fine fabrics should NOT be hung on this product.
2. The product must be installed in accordance with ALL current electrical legislation. If you have any doubt, we recommended that you consult a qualified electrician.
3. The product operates at a voltage of 220V-240V ac.
4. Do not use this product if there are any signs of damaged.
5. This product is supplied with a 3-core power cable, and the product MUST be connected to earth.
6. During installation of the product, ensure the power supply is isolated for safety.
7. In the unlikely event of any component parts failing in the future please disconnect from the power and call our customer service team for help and guidance.

Warning: The product should be installed as far from showers, baths and taps etc. as possible. There are restricted zone locations within bathrooms for this type of product, again if you are in any doubt, please consult a qualified electrician.

We reserve the right to change or update the specification of our products without notice. E&OE

Tools required::



Pencil



Electric Drill



Tape Measure



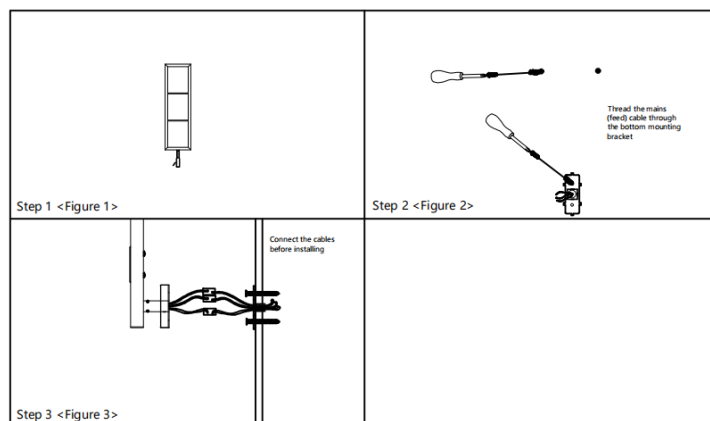
Cross head
Screwdriver



Hammer

| model | Wall plugs (Ø8*40) | Cross head pan type self tapping screws(ST5*45) | Cross head pan type bolts (M5*16) | Bottom bracket (cable connection) | Cover cap of bottom bracket | Top Brackets |
|-------|-----------------------|---|---|--------------------------------------|--------------------------------|--------------|
| VERO | 4 PCS | 4 PCS | 2 PCS | 1 PC | 2 PCS | 1 PC |

Schematic diagram of cable connections

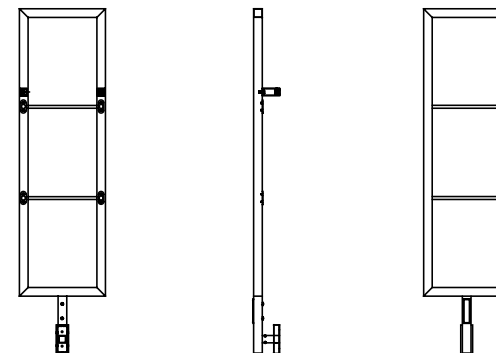


Installation instructions assume fitting to a solid wall. Other fixings may be required for other wall types.

Step 1: Select the installation location and position the product template, mark the fixing positions and drill 6mm diameter holes at each point.
(Take care not to damage the supply cable)

Step 2: Place the wall plugs in the holes, install the top and bottom brackets using self-tapping screws (ST5 * 45). Pull the supply cable out through the bottom wall bracket before securing in place) as shown in Figure 2 above.

Step 3: Install the towel bar onto the wall plate, using the fixings provided.
As shown in Figure 3



Instructions for using the time/temperature control touch screen:

1. In standby mode, long press and hold the for 3 seconds to switch on.
2. When turned on, press the to set timer. You can select times from 1 to 6 hours.
3. When turned on, press the to set the required temperature from 40-60 degrees. This will be automatically confirmed after the adjustment.
4. Press and hold for 3 seconds to switch off the power and digital display.