

# Milano

## Luxury Wall Stay

### Installation Guide

***Contents***

General Information **Page - 2**

Installation **Page - 2/3/4**

Aftercare **Page - 4**

Your Guarantee **Page - 4**

# General Information

---

## *Please read carefully...*

Do not throw away packaging until you have located and confirmed that you have all included parts.

For your own protection we recommend that you wear safety boots.

Inspect the finish on the product for signs of damage before installation.



# Installation

---

## *Parts Included:*

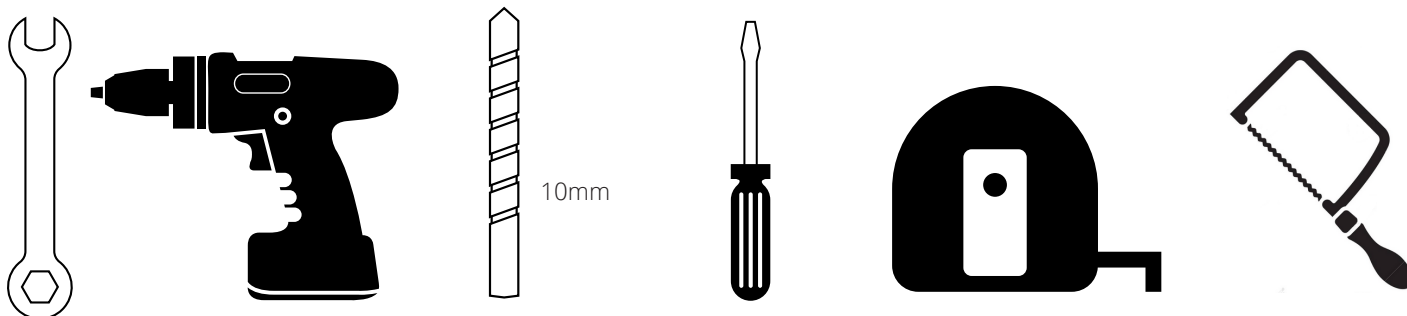
Wall fixings

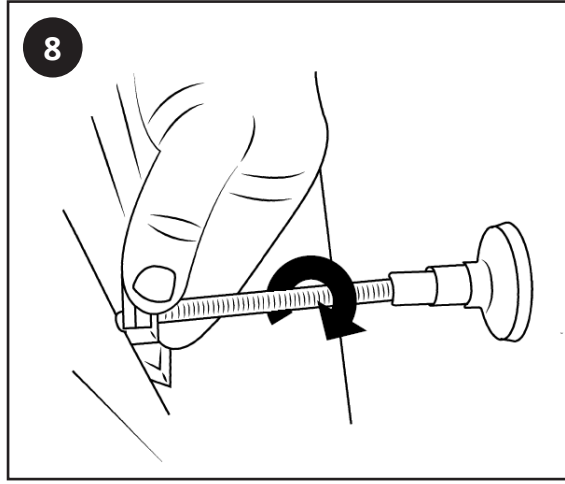
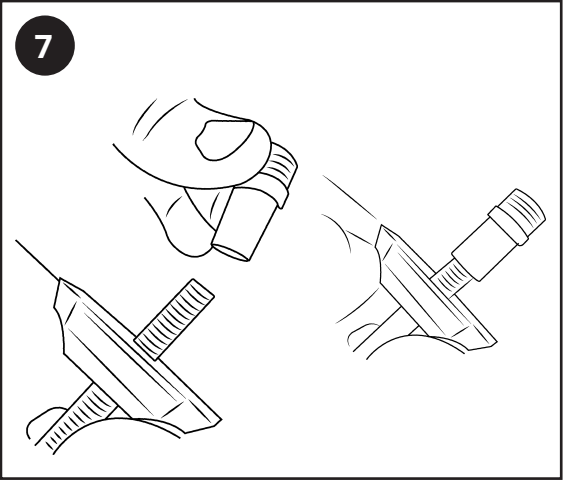
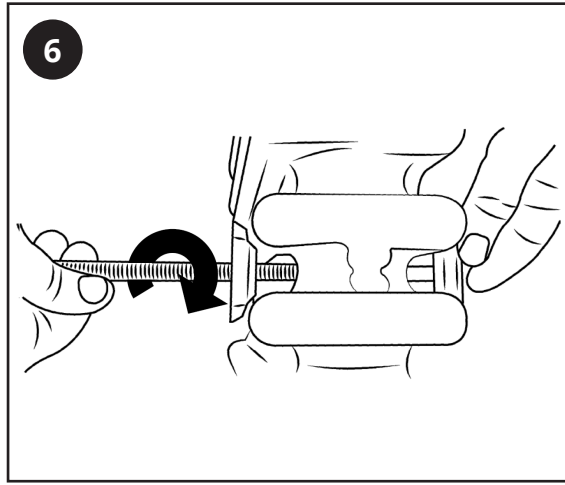
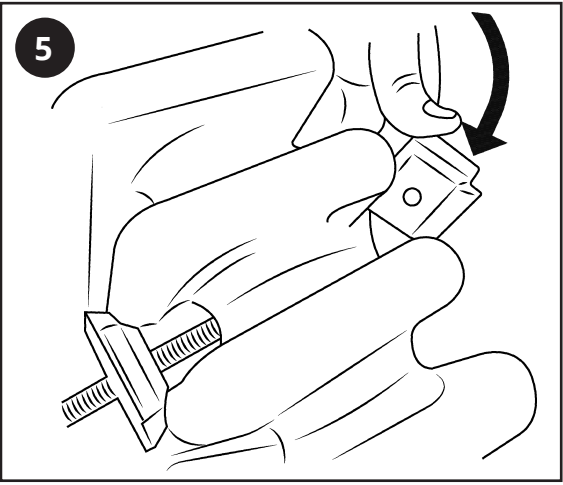
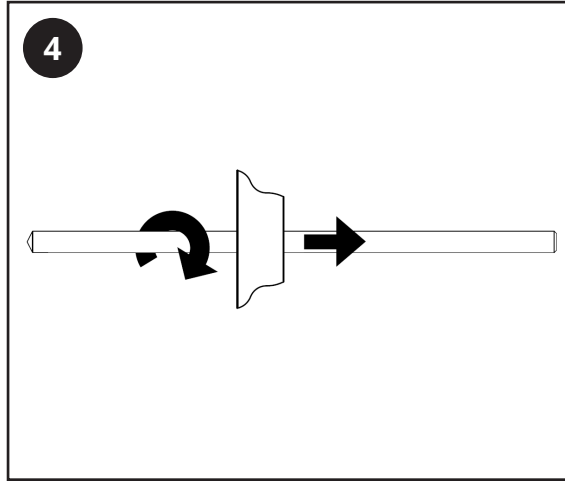
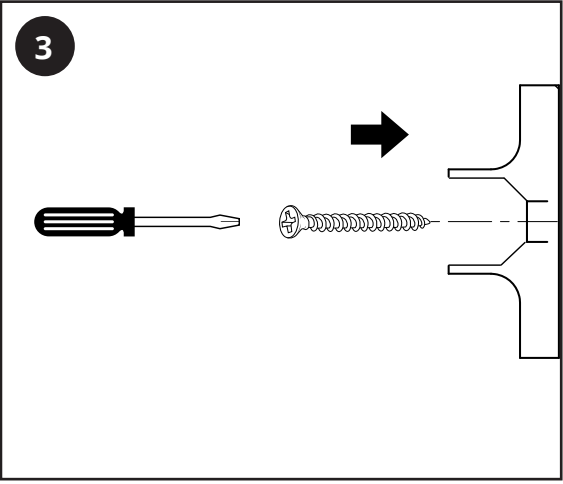
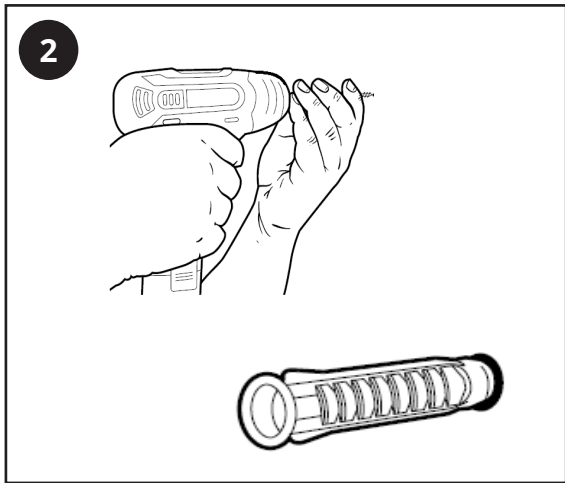
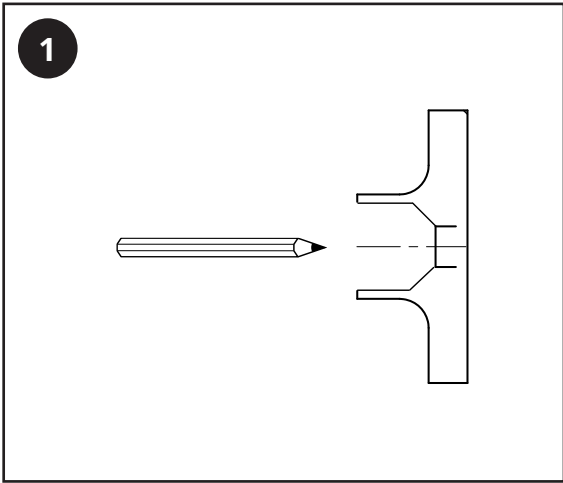
Wall Plugs

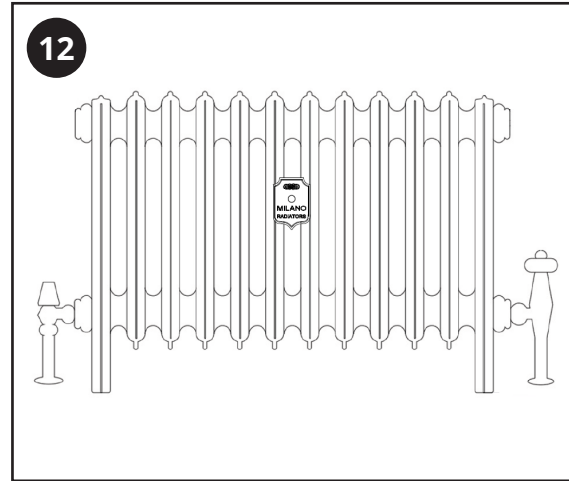
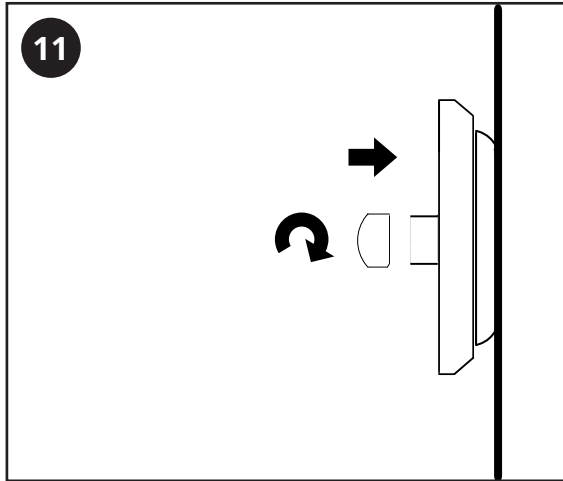
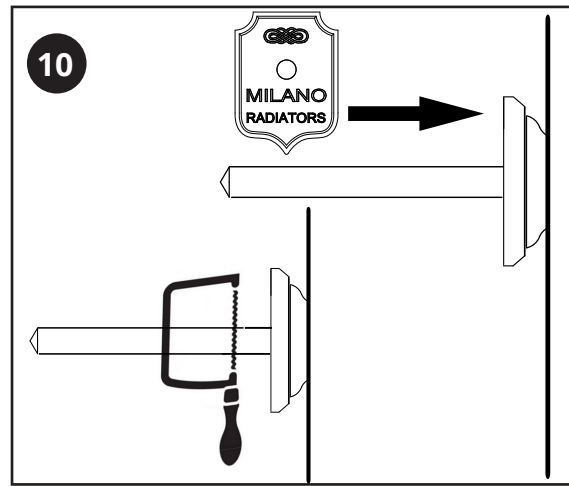
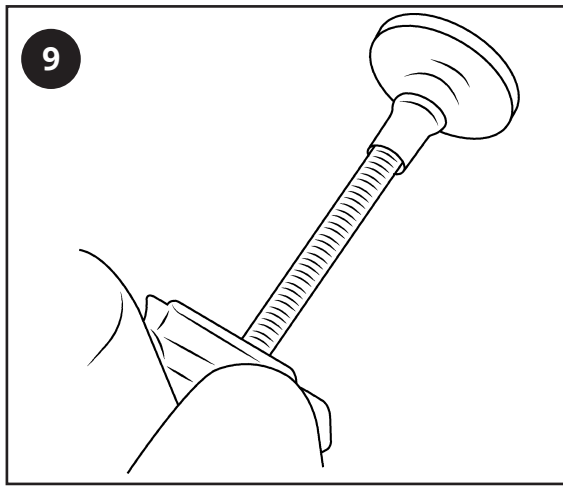
Wall Stay

Branded Shield

## *Tools required for installing:*







## Aftercare

Clean any marks with a soft dry cloth, for stubborn stains please clean with mild soapy water and buff out with a soft cloth. DO NOT use abrasive or acidic cleaners, if you are unsure, please contact us first.

## Your Guarantee

- This product is covered by a 10 year guarantee.
- The guarantee starts from the date of purchase.
- The guarantee covers you against issues caused as a result of manufacturing related issues, it does not apply to issues that are found to be a result of poor installation.
- Labour costs for installation of the product are not covered and the guarantee does not cover you for consequential loss.

## Recycling and Disposal

Please recycle the packaging in accordance with your local government regulations on waste handling, and follow the same advice at the end of the products life.

Product - Steel.

Packaging - Cardboard, plastic, steel.

## Contact us

Unit 1&2  
Burnley  
BB11 5UG