

Milano

Heating element installation (Glycol Radiators)

Installation Guide

Contents

Safety Information **Page - 2**

Installation **Page - 2**

Warranty Information **Page - 4**

Recycling & Disposal **Page - 4**

Safety Information

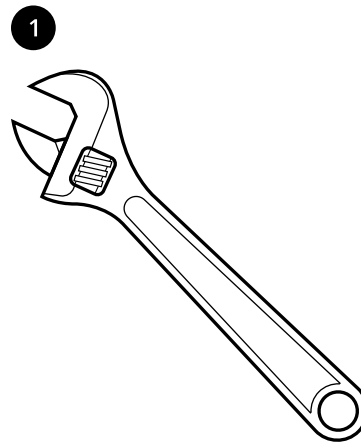
Please read carefully...

- ✓ Check the product for defects before installing.
- ✗ **DO NOT INSTALL THE ELEMENT INTO THE TOP OF THE RADIATOR.**
- ✓ Ensure any cables/wires supplied with the product are in good condition.
- ✓ Only use products supplied to install.
- ✗ Do not attempt to open or modify the control head on the element.
- ✓ Read all the instructions in the manual before beginning installation if in doubt use a qualified electrician.
- ✓ This product is for indoor use only.
- ✓ This product must be connected to your electricity supply by a qualified electrician.

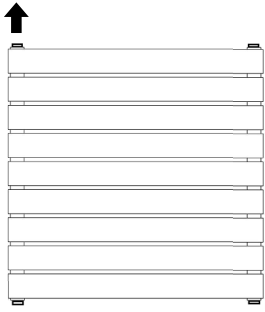
Installation

Tools required for installing:

1. Adjustable spanner



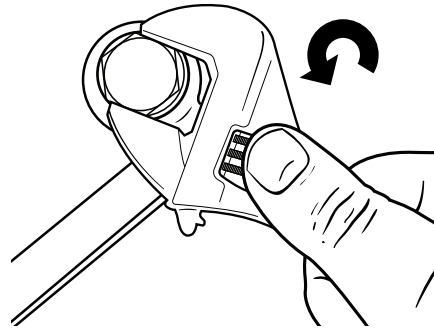
1



Unbox and stand your radiator with the inlet(s) you will be inserting the element into facing upwards, making sure the unit is sat on a waterproof surface.

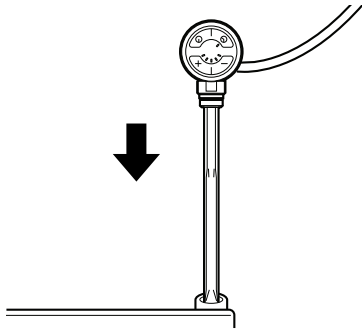
***Design of radiator will differ depending on model.**

2



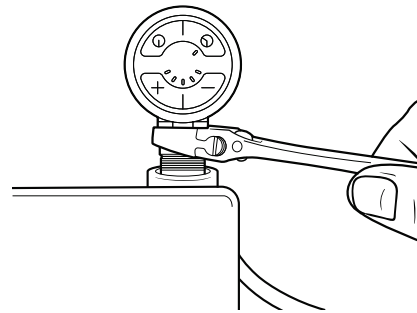
Remove the blanking plug from the inlet you will be fitting the element to by turning the blanking plug anti-clockwise.

3



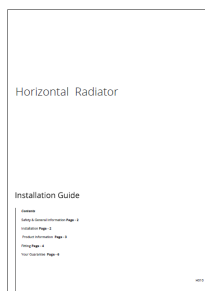
Insert the element into the inlet, some Glycol may spill out of the inlet, this is normal. Clean any spillage with a dry cloth and replace any spilled liquid with water.

4



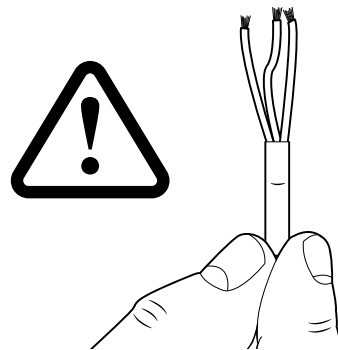
Use an adjustable spanner to tighten the head into the radiator until it is tight and the control faces forward. You can use PTFE tape on the element thread to aid with this. **DO NOT twist the head by hand.**

5



Install your Radiator as per the provided installation guide. Ensure that the elements are fitted to the bottom of your radiator.

6



The element must be wired up by a qualified electrician in accordance with local electrical wiring regulations.

Warranty Information

- *To find the specific guarantee for your product please refer to the website.*
- *The guarantee starts from the date of purchase.*
- *The guarantee covers you against issues caused as a result of manufacturing related issues, it does not apply to issues that are found to be a result of poor installation.*
- *Labour costs for installation of the product are not covered under this warranty.*

Aftercare

Clean any marks with a soft dry cloth, for stubborn stains please clean with mild soapy water and buff out with a soft cloth.

DO NOT use abrasive or acidic cleaners, if you are unsure, please contact us first.

Recycling & Disposal

The Waste Electrical and Electronic Equipment Directive (WEEE Directive) is the European Community directive 2012/19/EU on Waste Electrical and Electronic Equipment (WEEE) which, together with the RoHS Directive 2002/95/EC, became European Law in February 2003

The WEEE directive aims to reduce the amount of electrical equipment being produced and to encourage everyone to reuse, recycle and recover it.

In support of these guidelines and for environmental safety, do not dispose of any electrical equipment including those marked with the below symbols

When replacing old electrical devices with new ones the retailer is legally obligated to take back your old items for disposal free of charge. You can also recycle your old electrical devices free of charge at your local recycling centre. Please contact your local council for more information.



Contact Us

Milano

Unit 1&2

Burnley

BB11 5UB